

Sangam S.K.M College - Nadi

Year 10

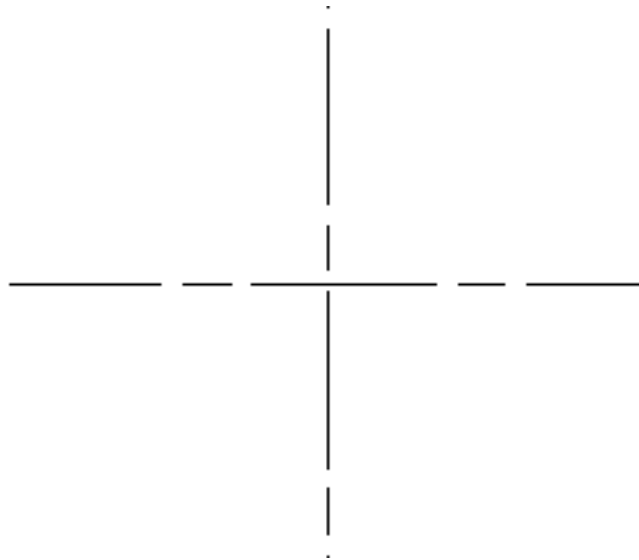
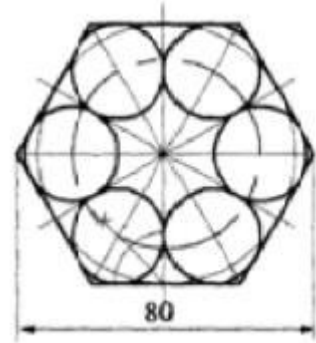
Basic Technology

Worksheet 4

Question 1

Given: A Design Pattern of a Tile.

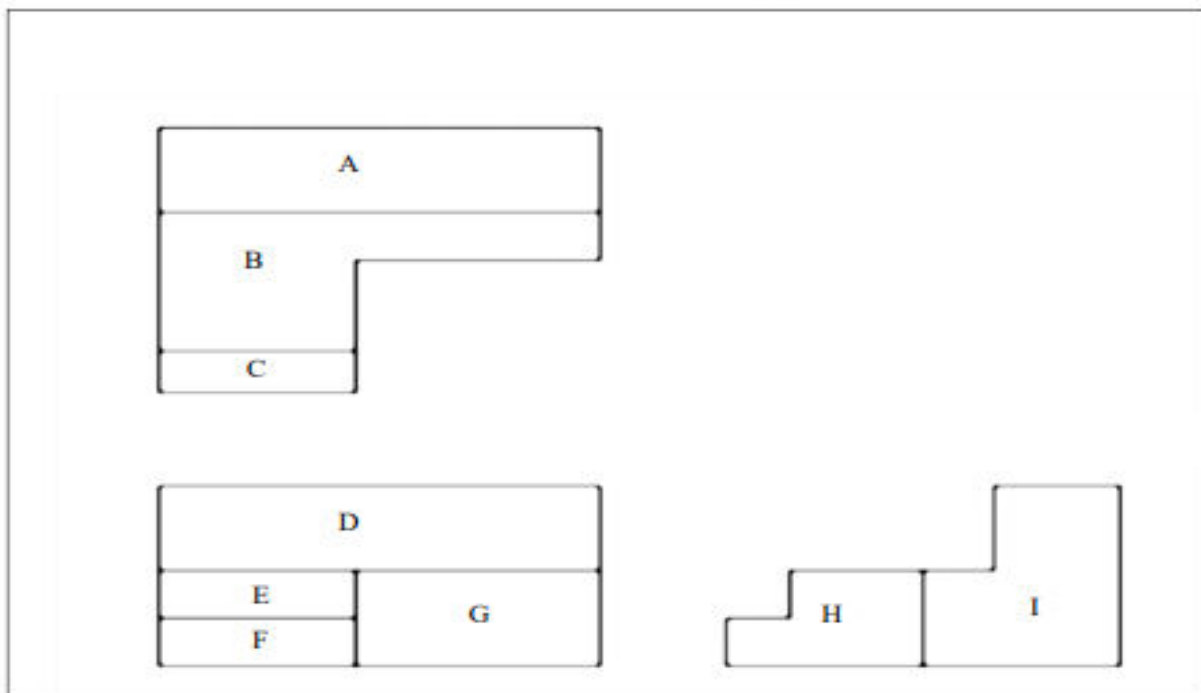
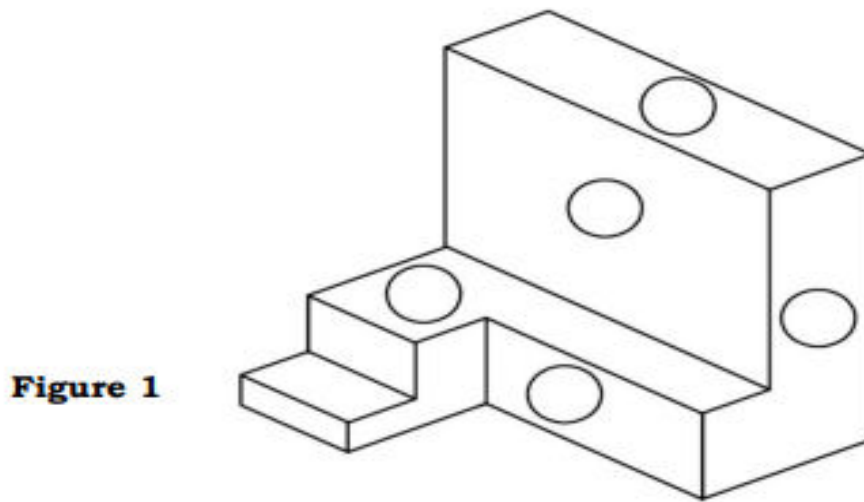
Required: Redraw the Pattern Design.



Question 2

Given: The faces of the orthographic views of a given multi-shaped block are indicated by letters in **Figure 2**.

Required: Write the correct letters in circles in **Figure 1** to match their corresponding face in **Figure 2**.



Question 3



Draw a neat sketch of a **Tee Hinge** in the space provided below as shown on the diagram.

