

SHEET 1
PENANG SANGAM HIGH SCHOOL
YEAR 10
BASIC TECHNOLOGY

WORKSHEET – 1

QUESTION 1

MULTIPLE CHOICE

(8 marks)

1. The hand tools which can be used to cut **across the length** of a 12 x 1 timber is

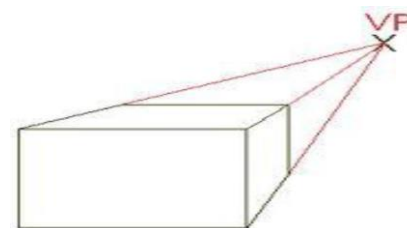
- A. Rip saw
- B. Tenon saw
- C. Chain saw
- D. Cross cut saw

2. A **plane figure** bounded by more than 4 straight line is called a

- A. triangle
- B. quadrilateral
- C. polygon
- D. angle

3. The given pictorial drawing on the right is known as

- A. Cabinet oblique
- B. 1-point perspective
- C. Isometric drawing
- D. 2-point perspective



4. Another name of describing a colour is

- A. Hue.
- B. Tone.
- C. Chroma.
- D. Magenta.

5. Which of these saws is a handsaw?

- A. Jig saw
- B. Circular saw
- C. Tenon saw
- D. Chain saw

6. The appearance of a product that makes it appealing and attractive is known as

- A. Aesthetics
- B. Ergonomics
- C. Functionality
- D. Anthropometrics

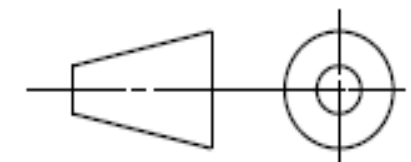
7. The diagram on the right shows an example of

- A. Traditional fishing
- B. Traditional farming
- C. Traditional recycling
- D. Traditional architecture



8. The orthographic symbol on the right represent

- A. 1st angle projection
- B. 2nd angle projection
- C. 3rd angle projection
- D. 4th angle projection



QUESTION 2

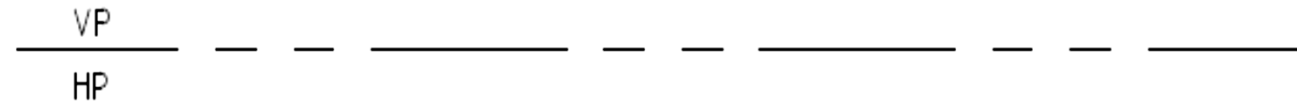
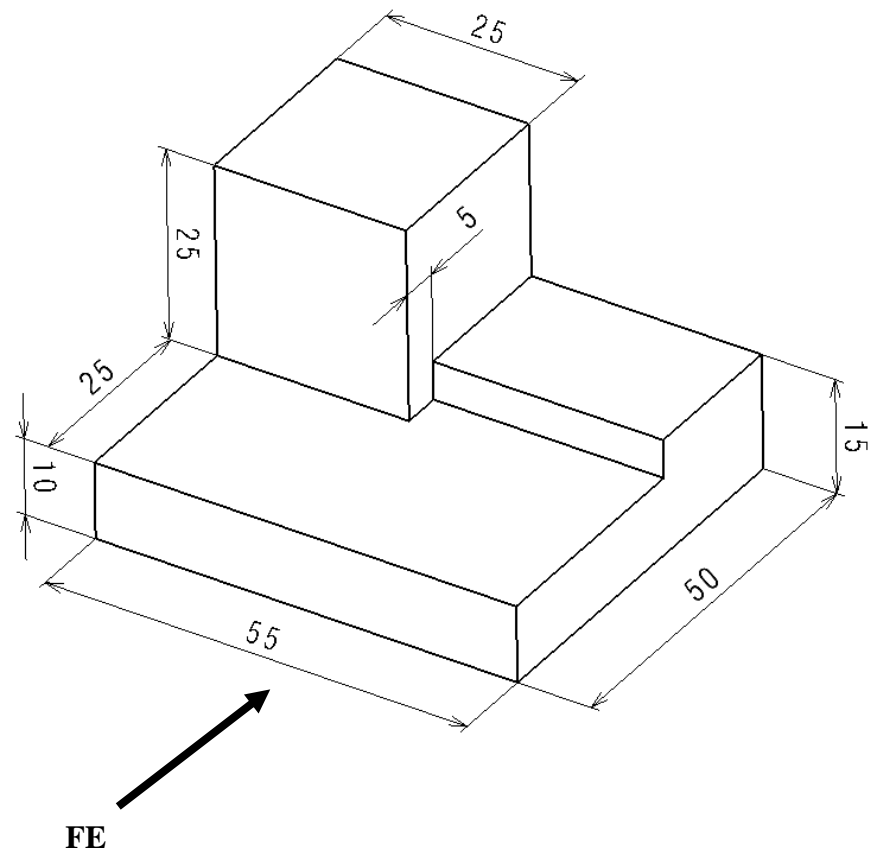
ORHOGRAPHIC DRAWING (10 marks)

Given:

The isometric view of the shape block

Required

1. Taking the measurements directly from the views given below, draw the shaped block in 1st angle orthographic drawing.
2. Label the Plan, Front Elevation and End Elevation.



THE END