

**SHEET 1**

**PENANG SANGAM HIGH SCHOOL**

**YEAR 12**

**TECHNICAL DRAWING**

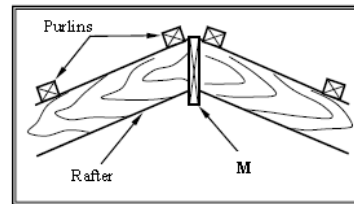
**WORKSHEET – 2**

**MULTIPLE CHOICE QUESTION**

**(5 marks)**

1. In a roof structure shown below, the building part labelled **M** is a

- A. Facia board.
- B. Barge board.
- C. Ridge board.
- D. Weather board.



2. The centre of a curvature of an ellipse is usually located on the:
- A. Vertex.
  - B. Major axis.
  - C. Minor axis.
  - D. Evolute of an ellipse.
3. A locus of any point located outside a rolling circle and rolls inside a base circle is called
- A. Epicycloid.
  - B. Hypocycloid.
  - C. Inferior Epitrochoid.
  - D. Superior Hypotrochoid.
4. Which of the following methods would be most appropriate for the surface development of a truncated right pyramid?
- A. Radial lines.
  - B. Parallel lines.
  - C. Triangulation.
  - D. Oblique planes
5. The centroid of an area which consists of two unequal and adjacently positioned rectangles is located near the
- A. Large rectangle.
  - B. Small rectangle.
  - C. Corner of the small rectangle.
  - D. Central axis of the two rectangles.

SHORT ANSWER QUESTIONS

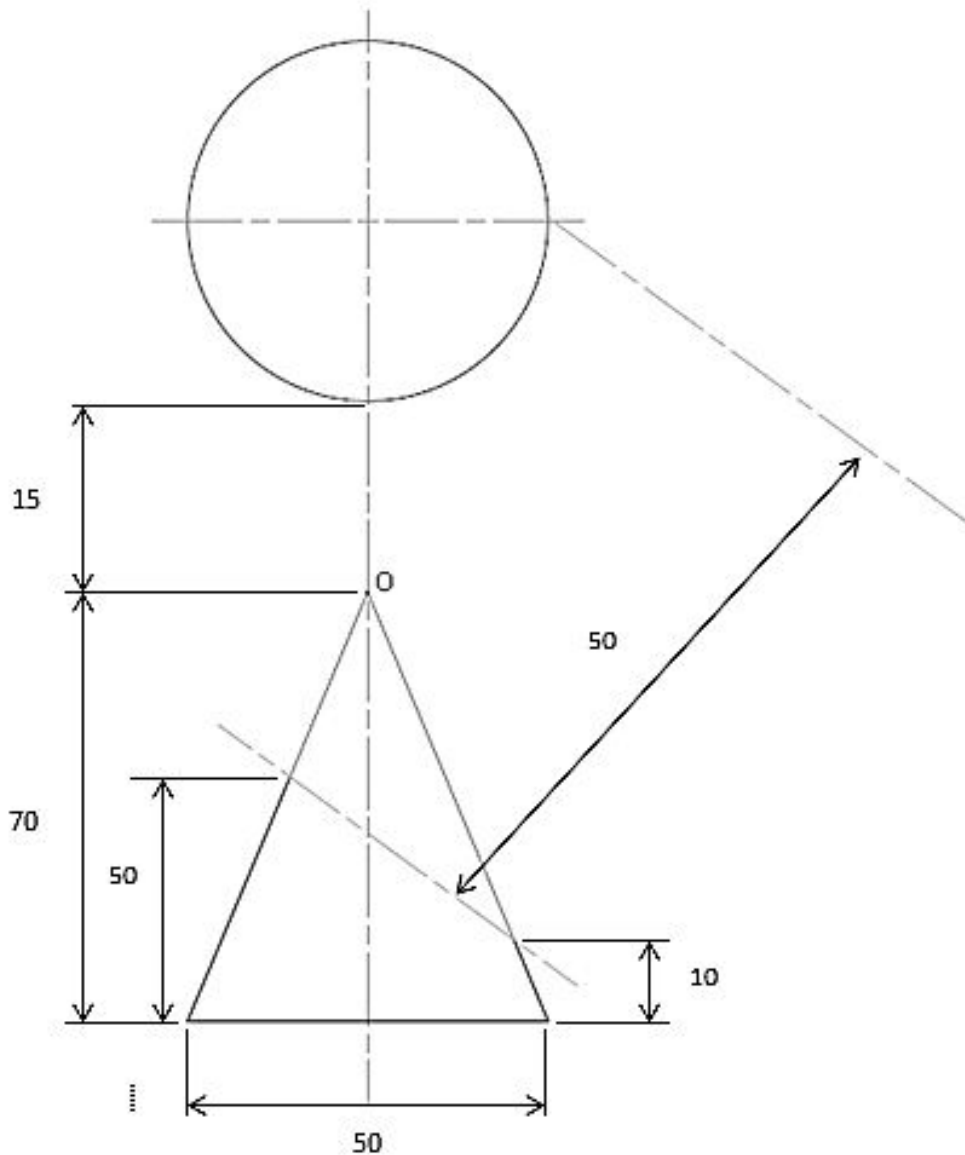
(15 marks)

QUESTION 1

GIVEN: The Elevation and incomplete Plan of a truncated right cone  
All measurements are labelled on the shape.

REQUIRED:

- Locate the Vertex, Directrix and the focal point.
- Draw the Focal Sphere.
- Complete the Plan.
- Draw the True shape of the section.
- Name the conic section: \_\_\_\_\_
- State the Ratio of Eccentricity: \_\_\_\_\_



THE END