

PENANG SANGAM HIGH SCHOOL

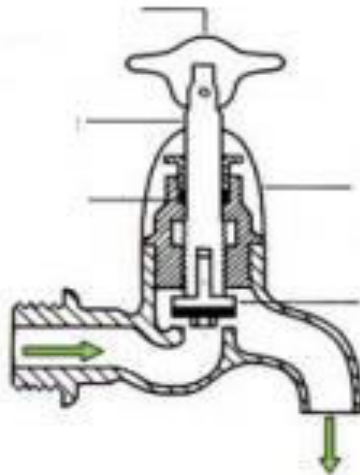
YEAR: 11

APPLIED TECHNOLOGY

WORKSHEET NUMBER: 3

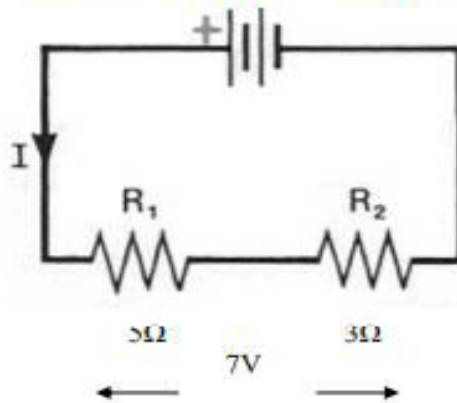
SHORT ANSWER QUESTIONS

1. Aggregate is a broad category of coarse- to medium- grained particulate material used in construction. Give two example of aggregate materials?
2. State the meaning of seasoning and give two types of seasoning?
3. Abrasives backing comes in many materials depending on the intended applications. Give two example of abrasive backing?
4. There are several types of taps. Name the two types of taps?
5. There are two types of water supply systems, direct water supply system and indirect water supply systems. Give one advantage of direct water supply system and one disadvantage of indirect water supply system?
6. Label the parts of a tap given below.



7. Define the term electricity.
8. There are two types of electrical circuit. Name the two types of electrical circuit?
9. Explain the terms:
Voltage:
Circuit:
10. In an electrical circuit, which meter is used to find the voltage?

The diagram given below shows a circuit diagram. Study the diagram carefully and answer the questions that follow.



Source: Year 11 Applied Technology, Ministry of Education, 2015.

- (i) Identify the circuit shown above.
- (ii) A power dissipated of 7V is applied to two resistors (5Ω and 3Ω) connected to the series.

Calculate the following:

1. The combine resistance.
2. The current flow.
3. Power dissipated across the 5Ω resistor.