

BA SANGAM COLLEGE

YEAR 10

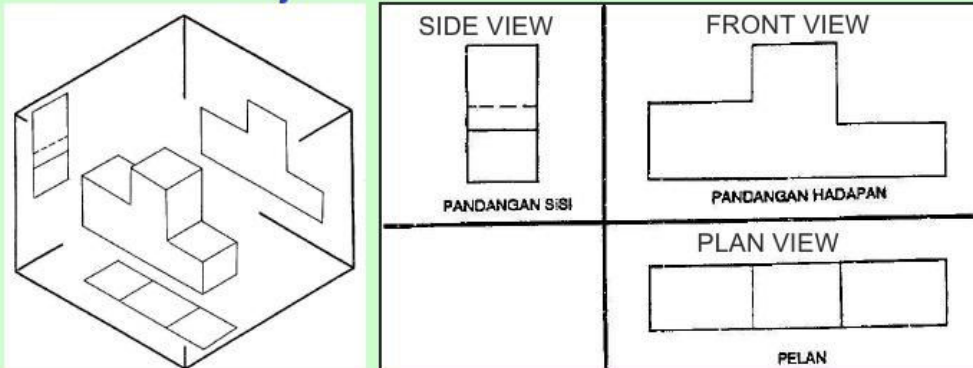
BASIC TECHNOLOGY

WORKSHEET 5

TOPIC: FIRST ANGLE ORTHOGRAPHIC

First Angle Projection

- The shadows of the object are cast onto the plane behind the object



26

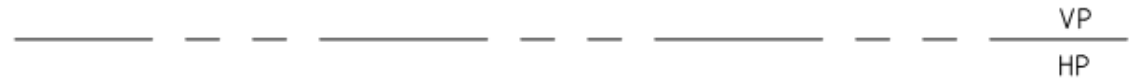
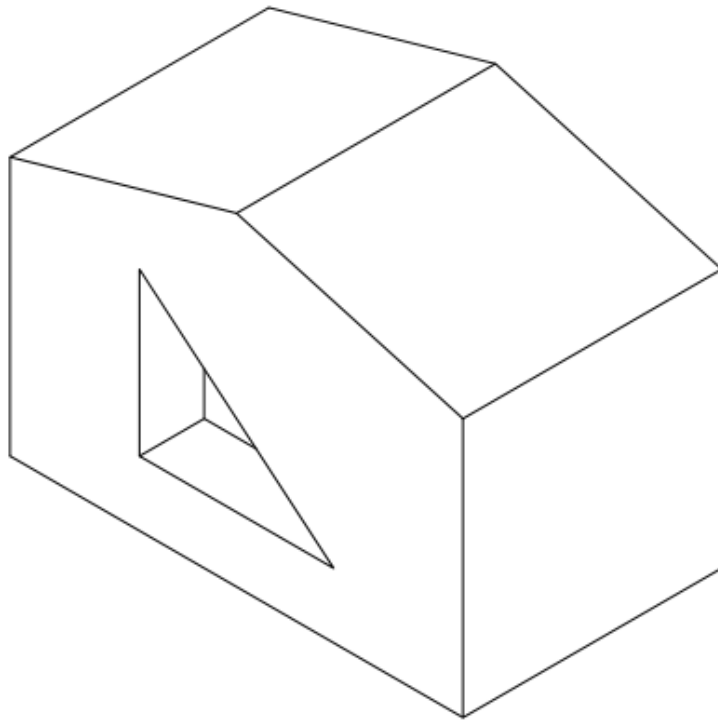
IMPORTANT POINTS TO NOTE:

- ALWAYS START DRAWING FROM MAIN ELEVATION
- MAIN ELEVATION IS ALSO KNOWN AS FRONT ELEVATION
- MAIN ELEVATION WILL BE ON TOP OF THE REFERENCE LINE
- PLAN WILL BE BELOW THE REFERENCE LINE
- FOR RIGHT END ELEVATION – LOOK FROM THE RIGHT SIDE AND DRAW ON THE LEFT SIDE OF MAIN ELEVATION
- FOR LEFT END ELEVATION – LOOK FROM THE LEFT SIDE AND DRAW ON THE RIGHT SIDE OF MAIN ELEVATION

EXERCISE 1

GIVEN: The isometric view of a shaped block.

REQUIRED: Draw and label the Elevation, Plan and End Elevation using first angle orthographic projection. *Take measurements directly from the isometric view.*



VP
HP



	PLAN		
1	Accuracy - length, width	1	
2	Correct shape	2	
3	Correct line work	1	
4	Overall neatness	1	
	ELEVATION		
5	Accuracy - length, width	1	
6	Correct shape	2	
7	Correct line work	1	
8	Overall neatness	1	
	END ELEVATION		
9	Accuracy - length, width	1	
10	Correct shape	2	
11	Correct line work	1	
12	Overall neatness	1	

EXERCISE 2

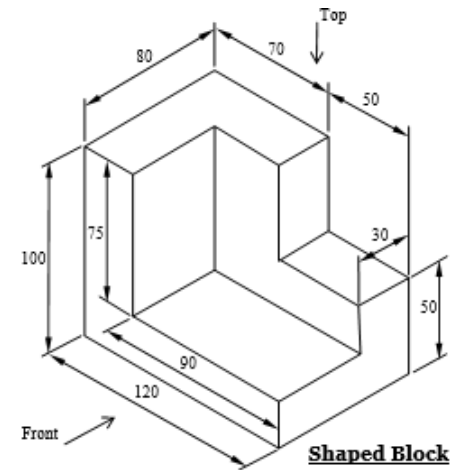
SECTION B (continued)

QUESTION 2 ORTHOGRAPHIC PROJECTION (10 marks)

Given: A simple **Shaped Block** drawn in isometric, the 45° line, reference line and starting corners.

Required: By taking measurements directly from the isometric drawing, answer the following questions:

- (i) Label all the visible faces of the **Shaped Block** on the isometric drawing with letters. (2 marks)
- (ii) Draw the Plan and Elevation of the **Shaped Block** in 1st Angle Orthographic Projection to a scale of 1 : 2. (7 marks)
- (iii) Label the **elevation** correctly on one of the orthographic views drawn. (1 mark)



EQ4(i)			
1	Guidelines shown	W	
2	Correct printing	1	
3	Correct line work	W	
EQ4(ii)			
4	Correct starting points used	1/2	
5	Correct line work	1	
6	Accuracy (L, W & H)	3	
7	Correct shape	2	
8	Neatness	1/2	
EQ4(iii)			
9	Correct view labeled	1/2	
10	Correct printing	1/2	