

**SUBJECT: Basic Science**

1. Mr Singh's house electricity bill is very high. List 5 ideas you can give him so that he starts to save energy and his bill amount decreases.

- i. Open windows and doors to let in fresh air instead of using fan.
- ii. Switch off lights not in use.
- iii. Unplug used electronics.
- iv. Use energy saver lights and appliances
- v. Plan ironing and washing properly to save energy. ( many answers)

2. Draw an energy saving poster for your class presentation.



**SUBJECT: Healthy Living**

1. From the story identify how was Molly hurt

Physically- accident and being blinded.

Emotionally – bullied and laughed at. Left alone in the bush.

Socially- friends left her and laughed at by friends

2. (i) Angry, sad, unwanted feeling, feel like crying, suicidal, (other negative feelings are accepted)

(ii) Angry, sad, unwanted feeling, feel like crying, suicidal, (other negative feelings are accepted)

(iii) Angry, sad, unwanted feeling, feel like crying, suicidal, (other negative feelings are accepted)

3. Thought positively, refocussed.

**SUBJECT: Social Science**

1. Climate Change

The climate change phenomenon refers to seasonal changes over a long period with respect to the growing accumulation of greenhouse gases in the atmosphere. It is the shift in worldwide weather phenomena associated with an increase in global average temperatures.

2. (i) Global Warming is a gradual increase in the overall temperature of the earth's atmosphere generally attributed to the greenhouse effect caused by increased levels of carbon dioxide, CFCs, and other pollutants.

(ii) The global warming happens because the natural rotation of the sun that changes the intensity of sunlight and moving closer to the earth. Increase in carbon dioxide level due to fossil fuel combustion and volcanic eruptions. Damage to the ozone layer. Deforestation. Methane and Nitrous oxide emissions from agriculture, Arctic sea beds and factories. When organic matter is broken down by bacteria under oxygen-starved conditions as in agricultural fields, methane is produced. Industrial evolution. Mining

(iii) As the temperature increase, the ice at the North Pole will melt. Once the ice melt the first effect will be raise on sea levels because the melting glaciers become oceans.

Species that include polar bears and tropical frogs will be extinct due to climate change. Besides, various birds will migrate to other places because animals are not like humans. They cannot adapt the habitat that changes their living or temperature.

More hurricanes, droughts and floods will occur and economic consequences still affect as well. Hurricane causes damage to houses and government need to spend billions of dollars in damage and people need places to stay or have been killed.

3.

Drawing depends how the child imagines the community in future.

### SUBJECT: Mathematics Solutions

1.

$6 \text{ cubes} = 6 \times 1\text{cm}^3$	$4 \text{ sticks} = 4 \times 40\text{cm}^3$	$7 \text{ flats} = 7 \times 700\text{cm}^3$
$= 6\text{cm}^3$	$= 160\text{cm}^3$	$= 4900 \text{cm}^3$

2. (a) Volume= Area of base x height

$$= [ l \times w ] \times h$$

$$= 6\text{cm} \times 3\text{cm} \times 2\text{cm}$$

$$= 36\text{cm}^3$$

(b) Total Volume = V(A) + V(B)

$$V(A) = l \times w \times h$$

$$= 12\text{m} \times 9\text{m} \times 7\text{m}$$

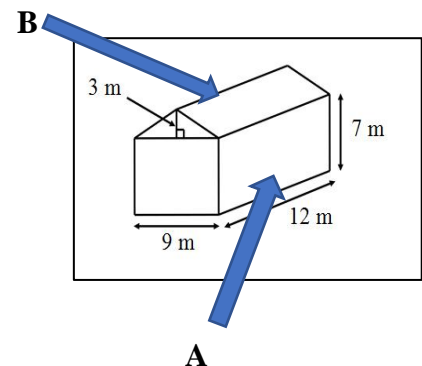
$$= 756\text{m}^3$$

$$V(B) = \text{Area of Triangle} \times l$$

$$= \left[ \frac{1}{2} \times b \times h \right] \times l$$

$$= \left[ \frac{1}{2} \times 9\text{m} \times 3\text{m} \right] \times 12\text{m}$$

$$= 162 \text{m}^3$$



$$\text{Total Volume} = V(A) + V(B) = 756\text{m}^3 + 162 \text{m}^3 = 918\text{m}^3$$

**SUBJECT: English**

**ACTIVITY**

**(i) Fiction Books (Answers vary)**

Novels like Harry Potter, Nancy drew etc.

# 10 must-read fiction books



**(ii) Non-fiction Books (Answers vary)**

Dictionary, reference books etc that have facts.

**ACTIVITY**

**LANGUAGE OF SPORTS: netball, swimming, watching movies, soccer/ rugby/ etc.**