



3055 BA SANGAM COLLEGE
PH: 6674003/9264117 E-mail: basangam@connect.com.fj



School: Ba Sangam College
Subject: Technical Drawing

Year/Level: 11
Worksheet 9

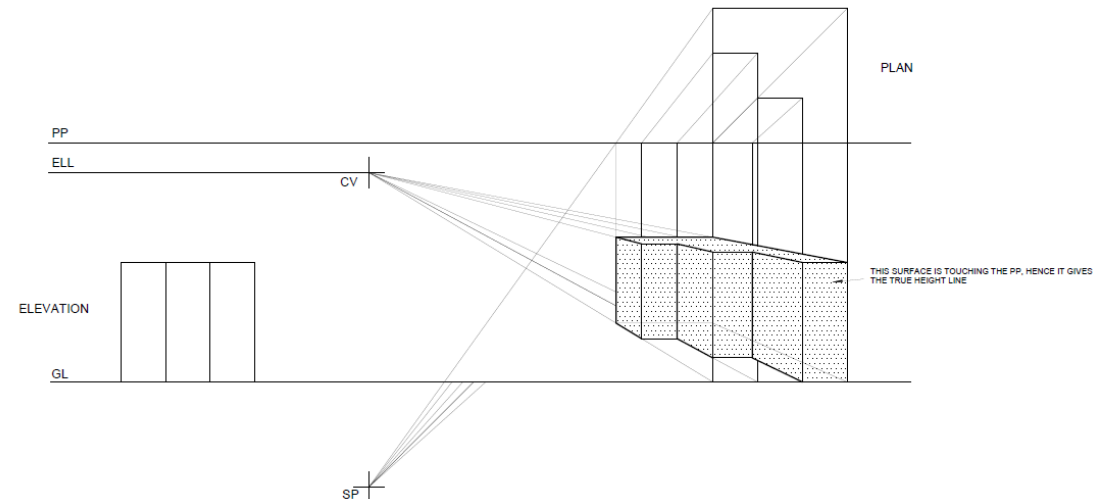
Name: _____
Year: _____

Strand	Geometrical Drawing
Sub Strand	One Point Perspective
Content Learning Outcome	Draw one point perspective drawings

One Point Perspective

Steps in one point perspective:

- ✓ First, we draw a crate that represents the height, length and width of the object that we want to draw.
- ✓ Extra lines are then drawn softly inside the crate until the shape of our object is complete. We call these faint lines construction lines.
- ✓ The outline of the object is then drawn darker over the faint construction lines.
- ✓ Construction lines may be rubbed out using an eraser or if they are very feint, they may be left.
- ✓ Finally the drawing may be rendered by adding light, shade and colour.



Activity (10 marks)

Given: The plan and elevation of a shaped block resting with an elevation on the ground plane and with a plan touching the picture plane.

Required: Draw a one point perspective of the shaped block.

