



3055 BA SANGAM COLLEGE

PH: 6674003/9264117 E-mail: basangam@connect.com.fj



WORKSHEET NO: 14

LESSON NOTES:

Subject: Applied Technology	Year/Level: 11
Topic: carpentry and joinery	Date: 24/08/21

LESSON NOTES:

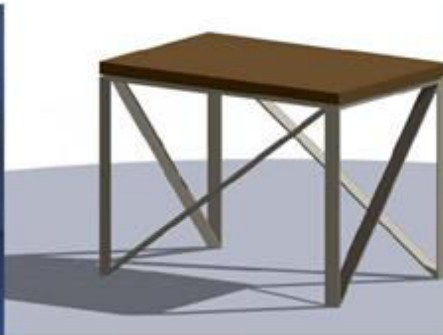
TABLES

The simplest form consists of a top supported by four legs framed together with rails. There are two acceptable method of joining the rail to the legs, the dowelled joint and the mortise and tenon joint. If the dowelled joint is used at least three dowels are required. To obtain maximum depth of mortise the end of the tenon are usually mitred. A haunch is cut on top of the tenon and these prevent the rail from twisting.

Types of Tables:



A Wooden Tiled Table



A Metal Framed Table



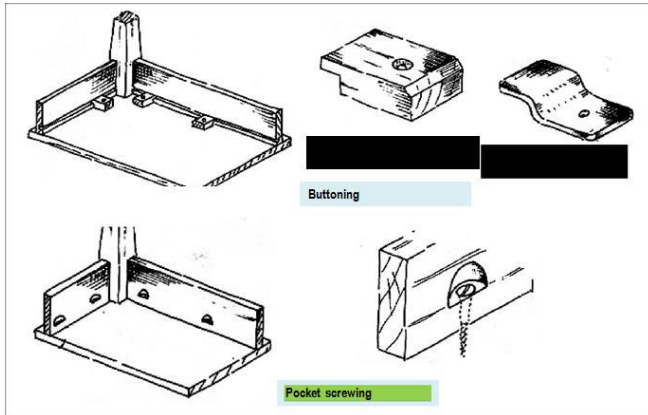
A Computer Table

Construction:

Allowance must be made for movement on the wide top. This is usually done by means of buttoning. The button maybe made of wood, or metal. They are screwed to the top and fit into grooves or slot in

the rails thus allowing the top to move in the case of shrinkage or swelling.

Sometimes the top is pocket screwed to the rails. This does not allowed for the movement and should be avoided when the top is wide.



STUDENTS ACTIVITY:

1. There are two acceptable methods of joining the rails to the legs with the use of two joints. Name these two joints.

2. Explain the term pocket screwing.

3. Sketch a pictorial view of a joint using pocket screwing.