

SHEET 1

**PENANG SANGAM HIGH SCHOOL
P. O. BOX 44, RAKIRAKI**

LESSON NOTES - 14

SCHOOL: PENANG SANGAM HIGH

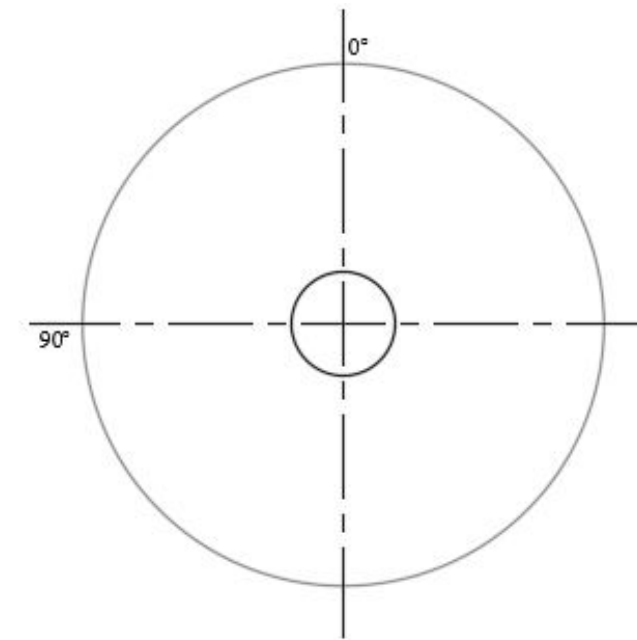
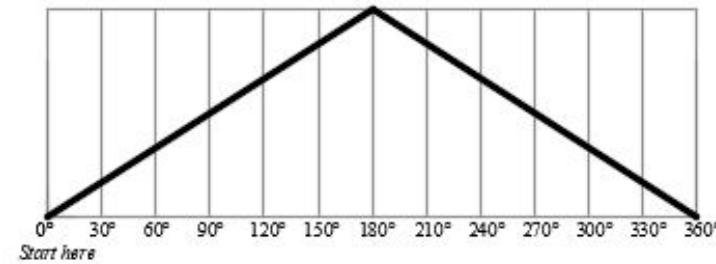
SUBJECT: TECHNICAL DRAWING

YEAR/ LEVEL: 11 C/D

Strand	TD11.1. GEOMETRY
Sub - Strand	TD11.1.3 CAMS
Content Learning Outcome	TD11.1.3.1 Recognize and construct the profile of cams on a pointed

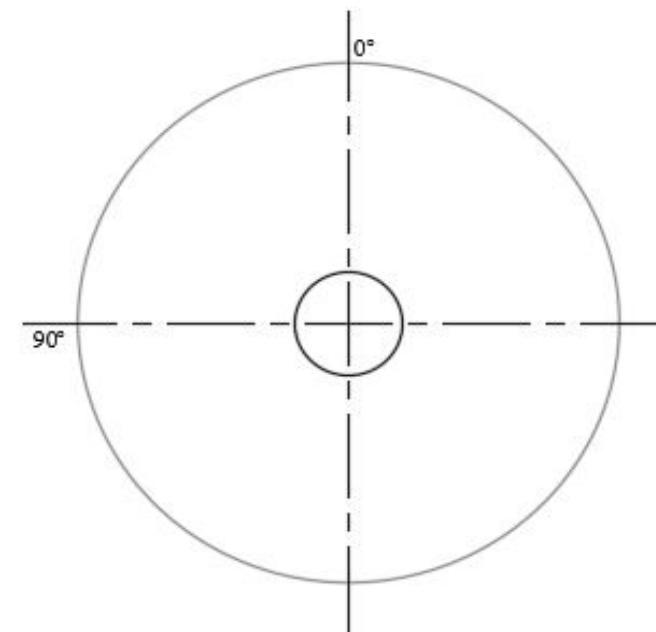
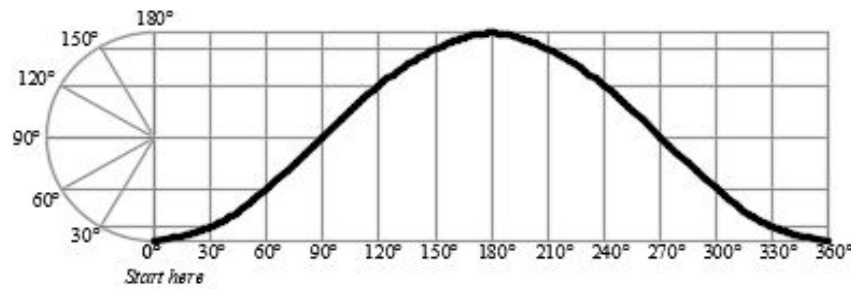
QUESTION 1

Given: A displacement graph of a Cam at Uniform Velocity.
Required: Draw a Cam which would give a Uniform velocity rise and fall of a knife edged follower.



QUESTION 2

Given: A displacement graph of a simple harmonic motion Cam.
Required: Draw a Cam which would give a Simple Harmonic Motion of a knife edged follower.



SHEET 2

THE END