



**3055 BA SANGAM COLLEGE**  
PH: 6674003/9264117 E-mail: basangam@connect.com.fj



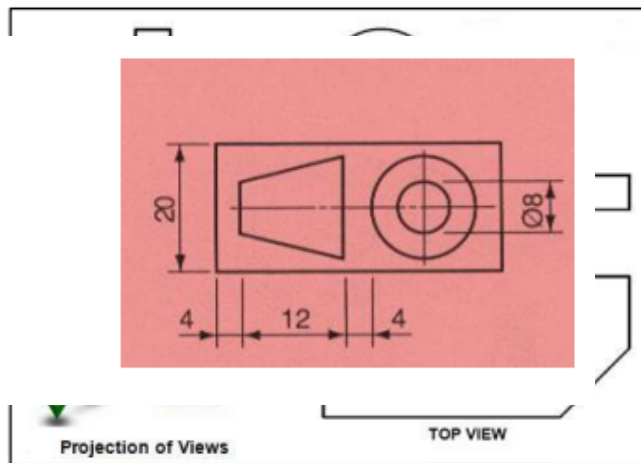
**School: Ba Sangam College**  
**Subject: Technical Drawing**

**Year/Level: 11**  
**Worksheet 17**

**Name: \_\_\_\_\_**  
**Year: \_\_\_\_\_**

Strand	Geometrical Drawing
Sub Strand	First Angle Orthographic
Content Learning Outcome	Identify the different views and know how to draw the 3 views correctly

v  
p  
v  
si  
A First Angle Projection drawing is identified by the first angle projection symbol. The angle of projection symbol typically appears in angle of projection block near to Title block.



**Activity**

**Given:** Pictorial drawing of **Nirvan's Coffee Table**.

**Required:** Draw the following views in 1st angle orthographic projection by taking the measurements directly from the Sketch.

- (a) Front Elevation
- (b) Plan
- (c) Sectional Left hand End Elevation

Dimension the Length, Width and Height in the Orthographic Drawing.

Draw the symbol for First Angle Orthographic drawing.

NIRVAN'S COFFEE TABLE



FRONT ELEVATION

