

SHEET 1

PENANG SANGAM HIGH SCHOOL

P. O. BOX 44, RAKIRAKI

LESSON NOTES - 17

SCHOOL: PENANG SANGAM HIGH

SUBJECT: TECHNICAL DRAWING

YEAR/ LEVEL: 11 C/D

|                          |   |
|--------------------------|---|
| Strand                   | TD11.3 APPLIED DRAWING  |
| Sub - Strand             | TD11.3.1 ORTHOGRAPHIC PROJECTION  |
| Content Learning Outcome | TD11.3.1.1<br>Demonstrate knowledge and skills of drawing orthographic projections of woodwork projects and the importance of dimensions in real life |

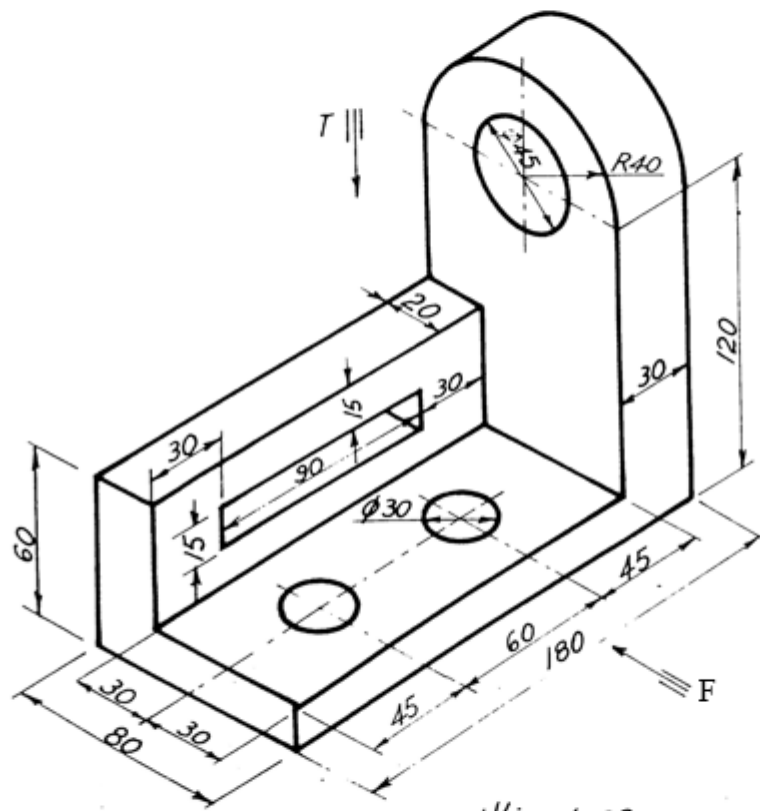
**Orthographic Projection**

- Use the notes from the Worksheet 16.

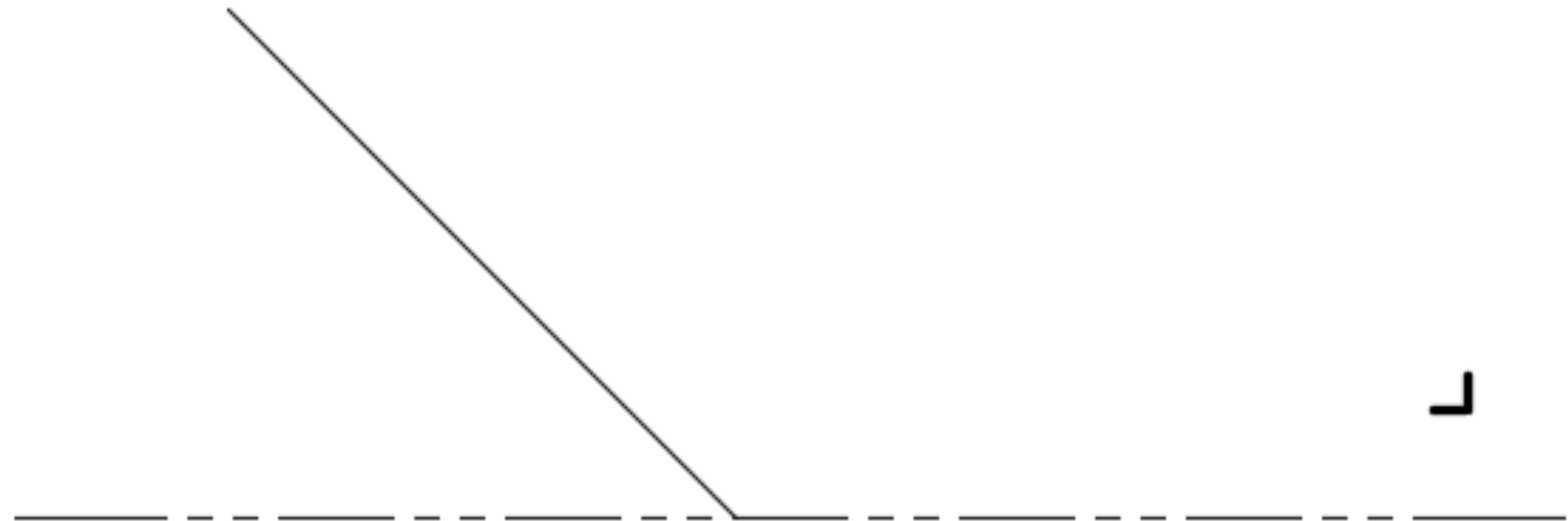
**QUESTION 1**

**Given:** The isometric view of a shaped block.

**Required:** Draw the third angle orthographic projection of the shaped block to a scale of 1:2



*All dimensions are in millimetres.*



**QUESTION 2**

**Given:** The isometric view of a shaped block.

**Required:** Draw the first angle orthographic projection of the shaped block to a scale of 1:2

