

PENANG SANGAM HIGH SCHOOL

P.O.BOX 44, RAKIRAKI

WEEK 19 WORKSHEET

Subject: Technical Drawing

Year/Level: 12

Strand	TD 12.3 APPLIED DRAWING
Sub Strand	TD 12.3.3 PICTORIAL PROJECTION
Content Learning Outcome	TD 12.3.3.1 Develop and demonstrate skills in the construction of perspective views, exploded views and assembled views of building and engineering components.

LESSON NOTES
PERSPECTIVE
OUTCOME

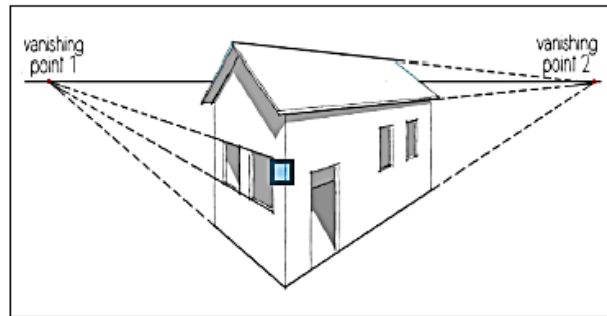
By the end of this topic, students will:

- a) Recall the concepts of perspective views and assembled views.
- b) Construct perspective views and assembled views of building, engineering components and final solution in a design project.

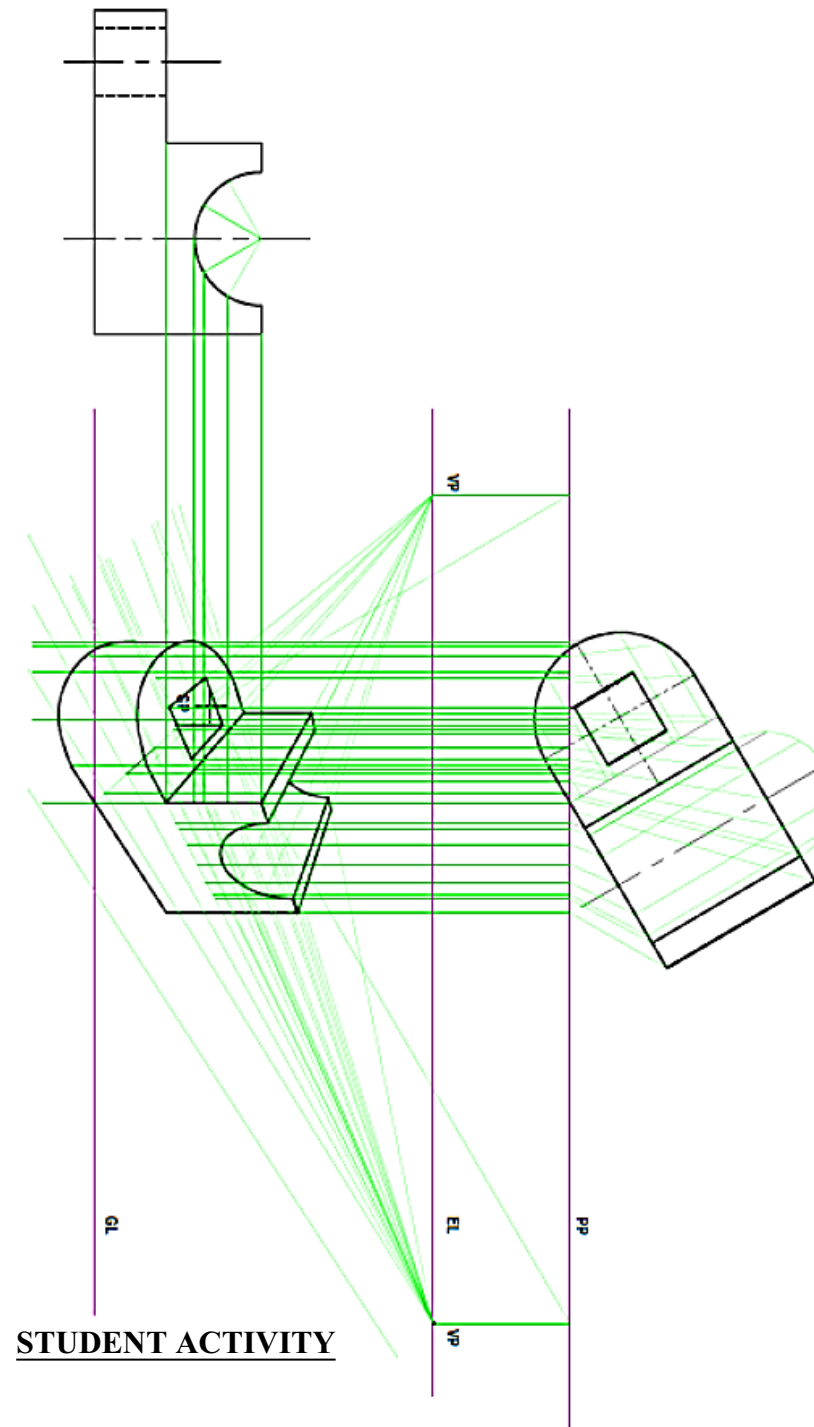
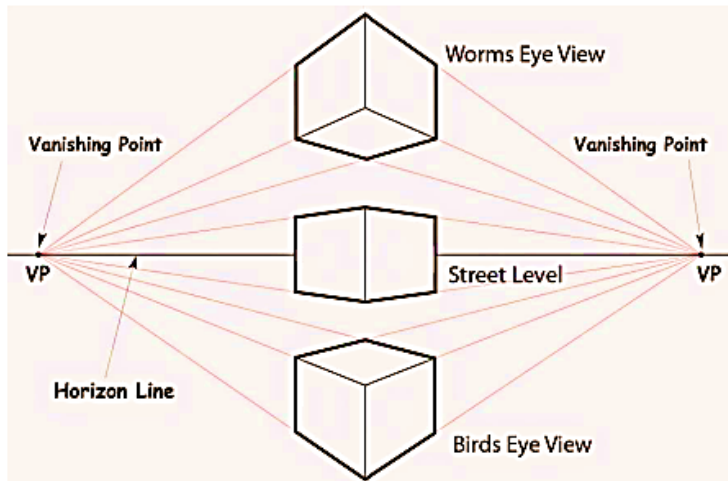
INTRODUCTION

Two Point Perspective

Two point perspective works following the same rules as one point perspective, there is an eye level, perspective lines and instead of one vanishing point there are two. One point perspective is usually when you are looking down an alley or street. Two point perspective is usually on a corner so you can see two streets.



Drawing objects in two point perspective



Given below is a two point perspective drawing of an engine block drawn using instrument.

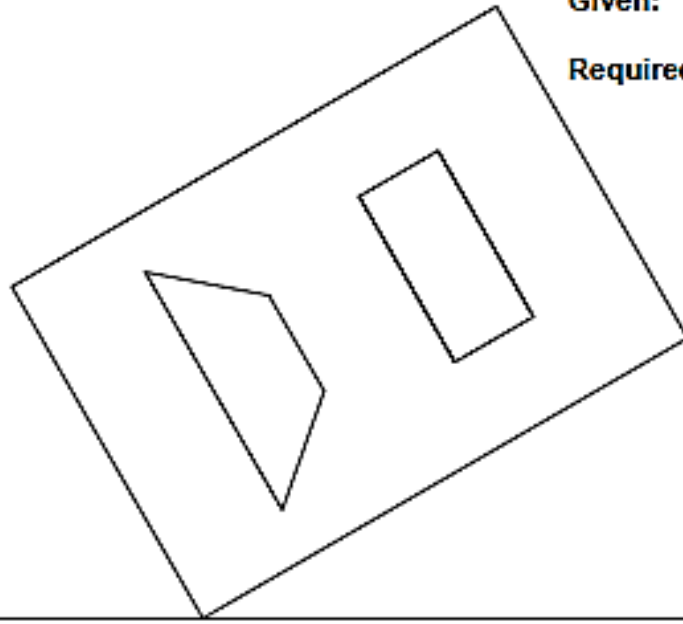
SHEET 2

Given:

The plan and elevation of a monument.

Required:

Construct a two point perspective drawing of the monument.

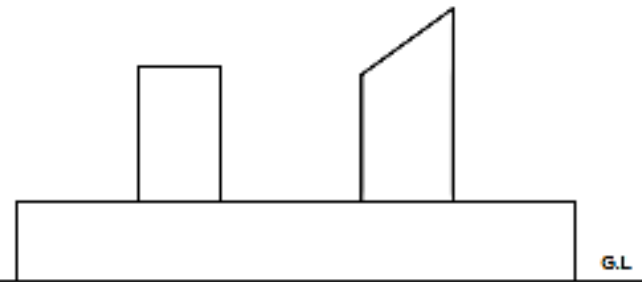


P.P _____ P.P

EL _____ EL

GL _____ G.L

+
SP



ELEVATION

THE END