

PENANG SANGAM HIGH SCHOOL

P.O.BOX 44, RAKIRAKI

LESSON NOTES-21

School: PENANG SANGAM HIGHYear/Level: 11Subject: APPLIED TECHNOLOGY

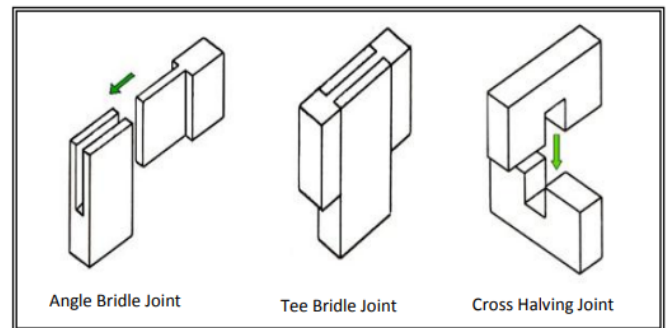
Strand	AT 11.6: APPLIED ENGINEERING
Sub Strand	AT11.6.1 CARPENTRY JOINERY
Content Learning Outcome	AT11.6.1.1 Demonstrate knowledge of safety, materials, tools and processes and develop practical skills in simple joinery works.

WOODWORKING JOINTS**Angle Bridle Joint**

This is some time called an open mortise and tenon joint'. It is used in the construction of frames where strength is important, such as tennis racket presses.

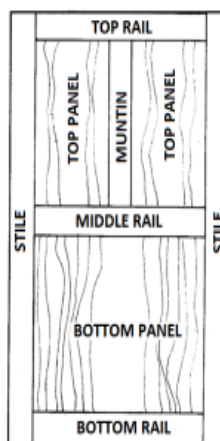
Tee Bridle Joint

This corresponds to the tee halving joint and is used for the same purpose, but is a much stronger joint.

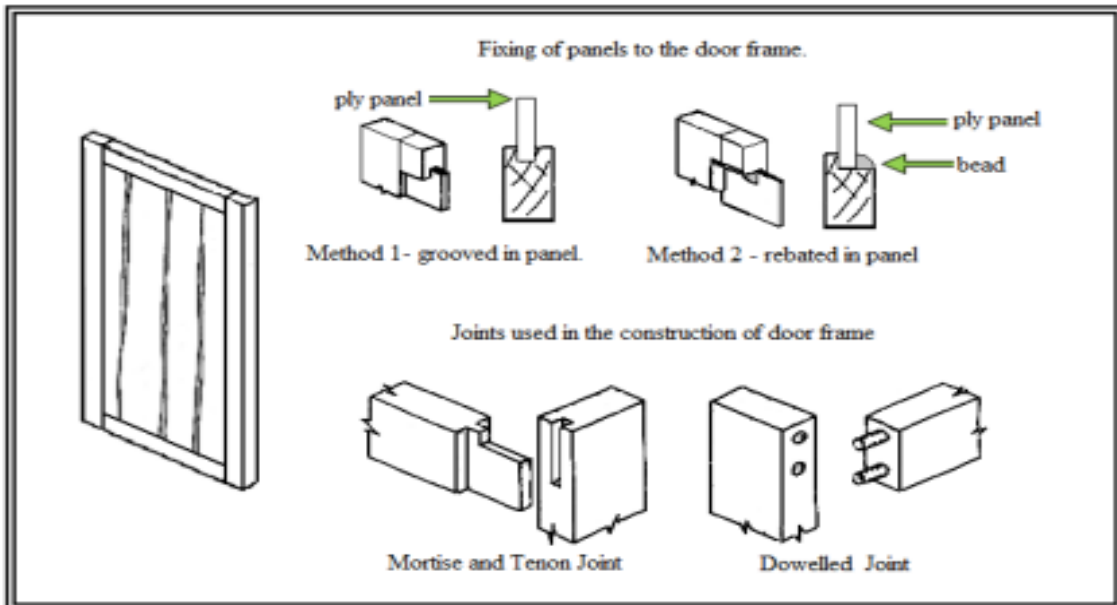
**Cross Halving Joint**

This is used where two piece cross each frame.

other, such as the cross rail of table or

Parts of a panelled cabinet door

Fixing of panels to the door frame

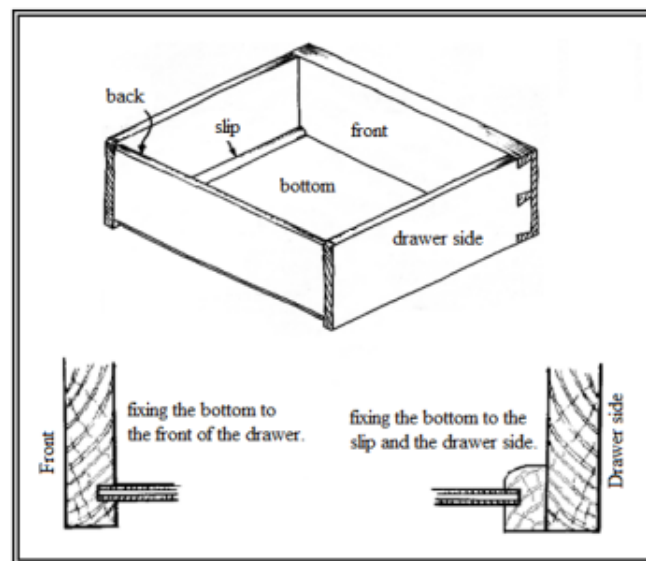


DRAWERS

Parts of a Drawer

Every drawer has the same basic parts: front, back, sides, and bottom. But these parts can be assembled in a variety of ways to produce different types of drawers.

- The Drawer Front
- The Side
- The Back
- The Bottom
- The Slip



DOORS

A door is a movable structure used to open and close off an entrance, typically consisting of a panel that swings on hinges or that slides or rotates inside of a space.

Ledged and Braced Door

These types of doors consist of tongue and groove boards held together by ledges nailed across their width.

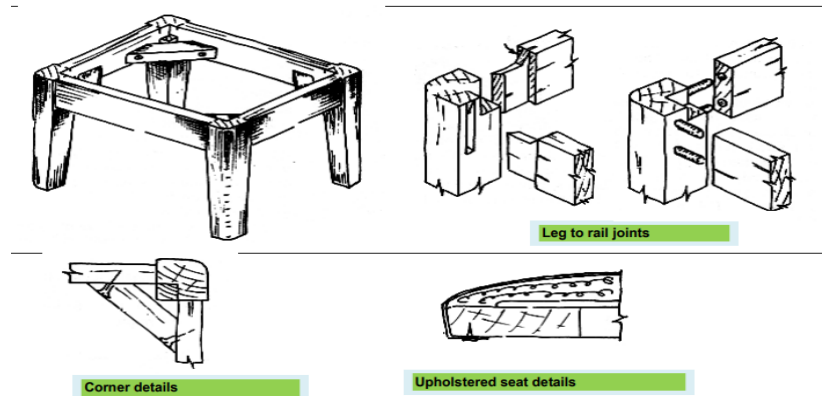
Types of Interior Doors

- Panelled Door
- Glazed Door
- Flush Doors
- Solid Core Flush Door
- Hollow –Core Flush Door

STOOLS

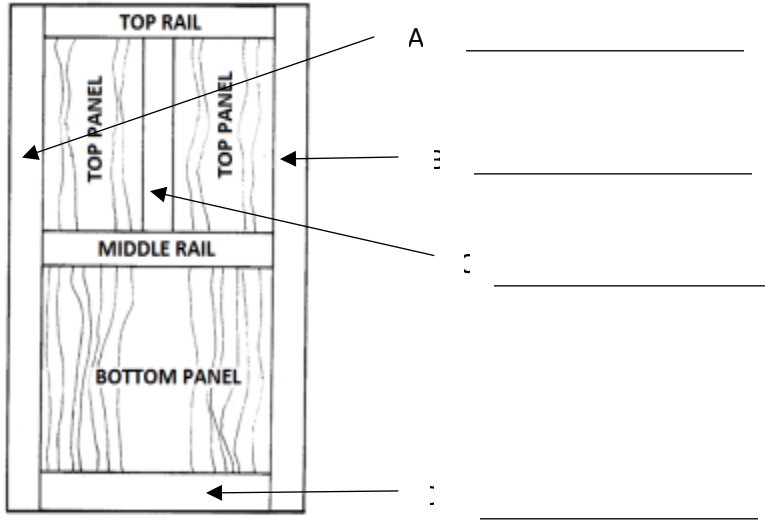
Stools are one of the simplest pieces of furniture that one can make, but it is quite fascinating that there are so many different forms of this simple assemblage.

Construction of Stools



SHORT ANSWER QUESTIONS

Label the parts of panel cabinet door.



THE END