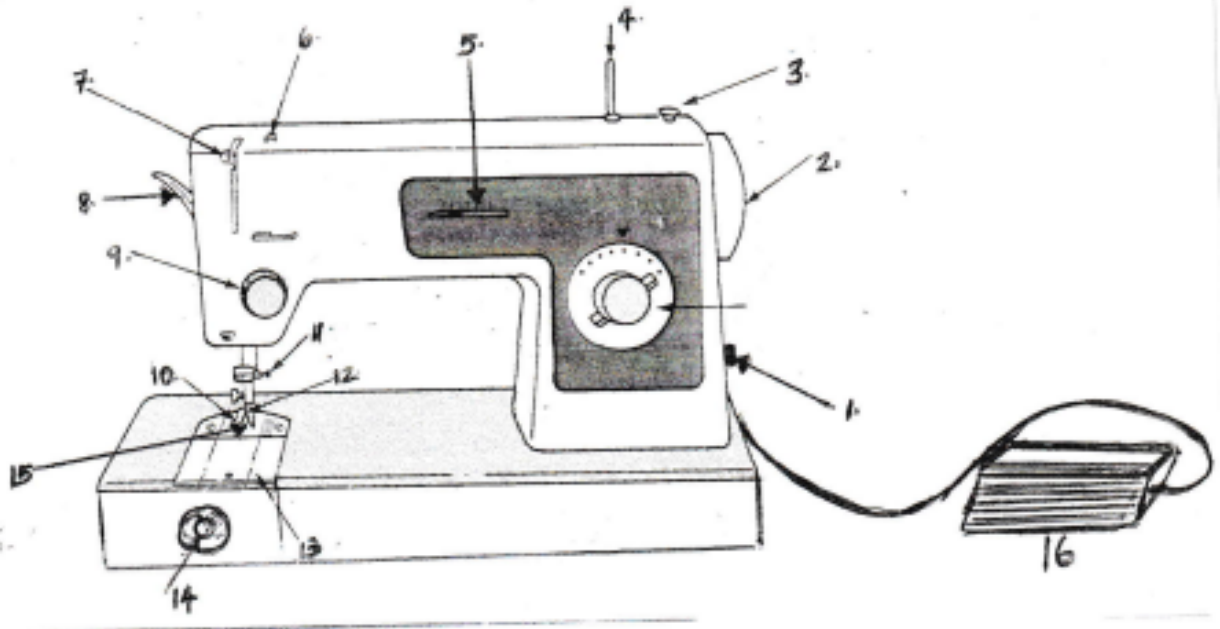


PENANG SANGAM HIGH SCHOOL
P.O.BOX 44, RAKIRAKI
WORKSHEET BATCH 7 – WEEK 21

1. Label the parts of the sewing machine given below.



1. _____
2. _____
3. _____
4. _____
5. _____
6. _____
7. _____
8. _____
9. _____
10. _____
11. _____
12. _____
13. _____
14. _____
15. _____
16. _____