



**3055 BA SANGAM COLLEGE**  
PH: 6674003/9264117 E-mail: basangam@connect.com.fj



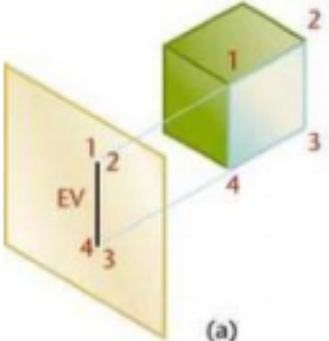
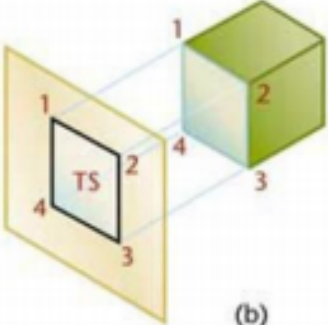
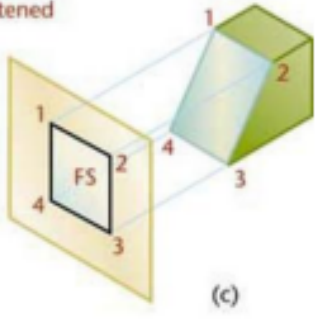
**School: Ba Sangam College**  
**Subject: Technical Drawing**

**Year/Level: 11**  
**Worksheet 24**

**Name: \_\_\_\_\_**  
**Year: \_\_\_\_\_**

Strand	Geometrical Drawing
Sub Strand	First Angle Orthographic
Content Learning Outcome	Identify the different views and know how to draw the 3 views correctly

## BASIC RULES FOR ORTHOGRAPHIC DRAWING

 <p>(a)</p>	 <p>(b)</p>	<p>EV = Edge view TS = True size FS = Foreshortened</p>  <p>(c)</p>
<p>A plane surface that is perpendicular to a plane of projection appears on edge as a straight line</p>	<p>A plane surface that is parallel to a plane of projection appears as rectangle at true size</p>	<p>If a plane is angled to the plane of projection, it appears foreshortened 2 to 3 in projected plane is not equal to 2 to 3 measured on object</p>

### Activity

**Given:** Pictorial drawing of Fiona's Bed Side Cabinet.

**Required:** Draw the following views in 3rd angle orthographic projection by taking the measurements directly from the Sketch.

- (a) Sectional Front Elevation
- (b) Plan
- (c) Left Hand End Elevation

Dimension the Length, Width and Height in the Orthographic Drawing

Draw the symbol for Third Angle Orthographic drawing.

FIONA'S BED SIDE CABINET



FRONT ELEVATION

