



3055 BA SANGAM COLLEGE
 PH: 6674003/9264117 E-mail: basangam@connect.com.fj



School: Ba Sangam College
Subject: Technical Drawing

Year/Level: 11
Worksheet 25

Name: _____
Year: _____

Strand	Geometrical Drawing
Sub Strand	First Angle Orthographic
Content Learning Outcome	Identify the different views and know how to draw the 3 views correctly

First Angle Projection	Third Angle Projection
The object is imagined to be in first quadrant.	The object is imagined to be in third quadrant.
The plane of projection lies between the observer and plane of projection.	The plane of projection lies between the observer and object.
The plane of projection is assumed to be non transparent.	The plane of projection is assumed to be transparent.
When view are drawn in their relative position Top view comes below Front view, Right side view drawn to the left side of elevation.	When view are drawn in their relative position Top view comes above Front view, Right side view drawn to the right side of elevation.
 SYMBOL	 SYMBOL

Activity (10 marks)

QUESTION 4

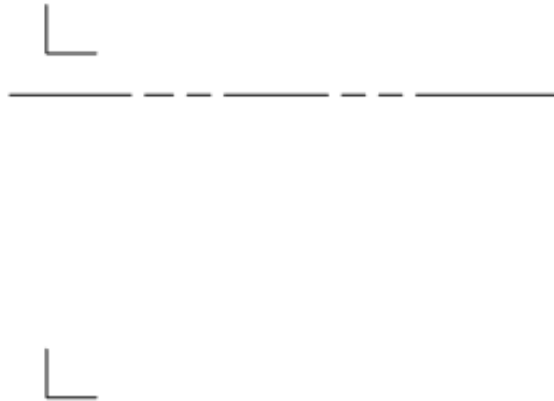
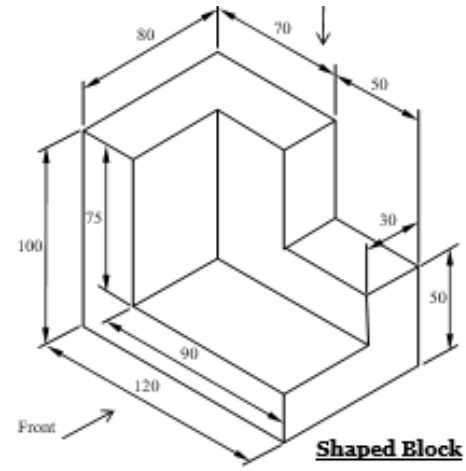
ORTHOGRAPHIC PROJECTION

(10 marks)

Given: A simple **Shaped Block** drawn in isometric, the 45° line, reference line and starting corners.

Required: By taking measurements directly from the isometric drawing, answer the following questions:

- (i) Label all the visible faces of the **Shaped Block** on the isometric drawing with **letters**. **(2 marks)**
- (ii) Draw the Plan and Elevation of the **Shaped Block** in 1st Angle Orthographic Projection to a scale of 1 : 2. **(7 marks)**
- (iii) Label the **elevation** correctly on one of the orthographic views drawn. **(1 mark)**



MQ(0)	
1	Cg
2	Cg
3	Cg
MQ(0I)	
4	Cg
5	Cg
6	A4
7	Cg
8	N4
MQ(0II)	
9	Cg
10	Cg