

**1040 TAGI TAGI SANGAM SCHOOL**

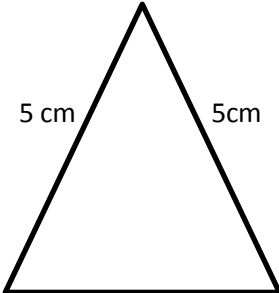
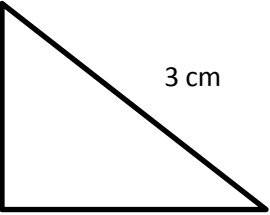

**YEAR - 5 MATHS**

**MEASUREMENT**

**PERIMETER**

Perimeter is the distance around the outside of a shape

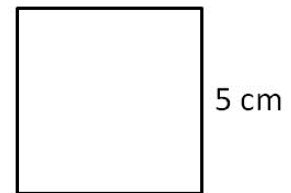
1. Calculate and record the perimeter of each triangle

a. 	b. 	c. 
P = _____ cm	P = _____ cm	P = _____ cm

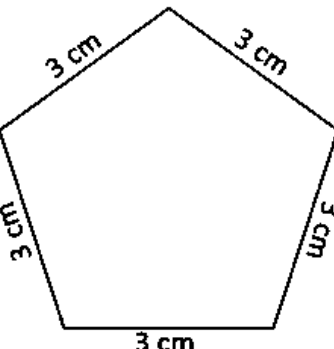

Shortcuts can be used to find the perimeter of some polygons.

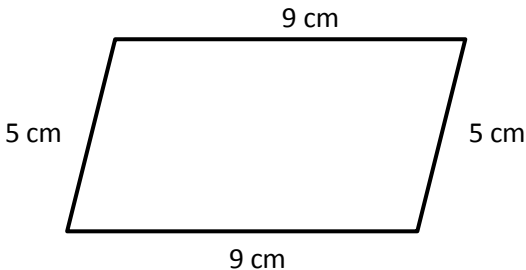
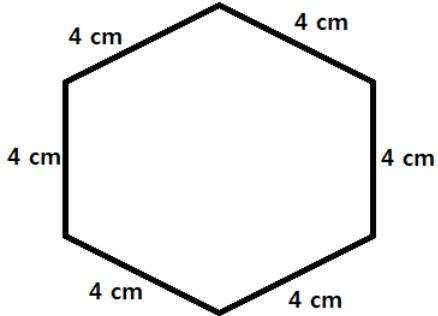
Example: The perimeter of a square with sides 5cm can be found by multiplying the sides by 4.

$$4 \times 5 \text{ cm} = 20 \text{ cm}$$



2. Calculate and record the perimeter of each polygon.

a. 	b. 
P = _____ cm	P = _____ cm

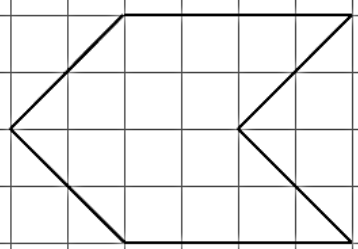
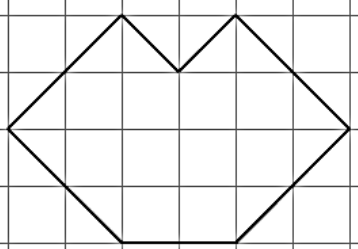
<p>c.</p> 	<p>d.</p> 
<p>P = _____ cm</p>	<p>P = _____ cm</p>

**AREA**

- Area is the amount of surface or the size of the surface.
- Area is measured in squared units.
- Units of area are:
  - square centimetres (cm<sup>2</sup>)
  - square metres (m<sup>2</sup>)

**Count the squares and the half-squares to determine the area of these shapes.**

**Each square has an area of 1 cm<sup>2</sup>.**

<p>a.</p> 	<p>b.</p> 
<p>a. _____ cm<sup>2</sup></p>	<p>b. _____ cm<sup>2</sup></p>