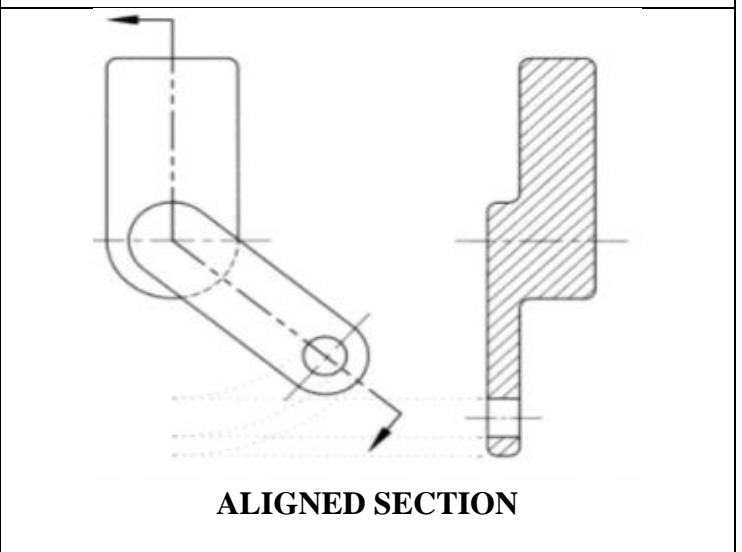
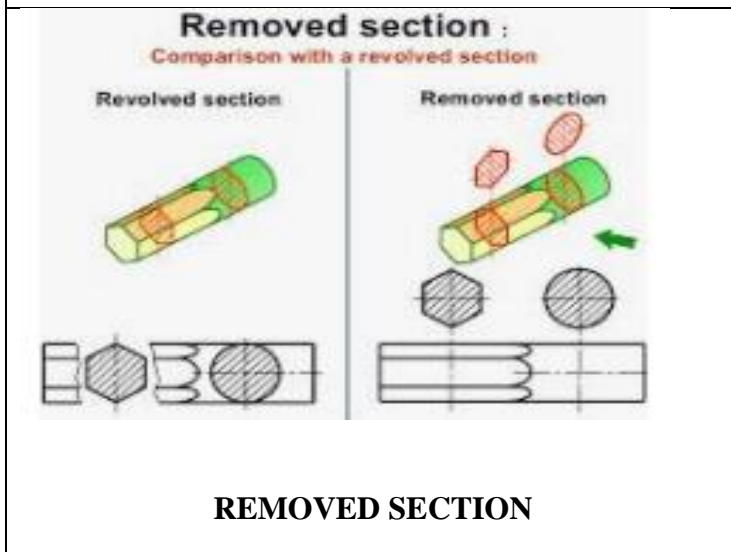
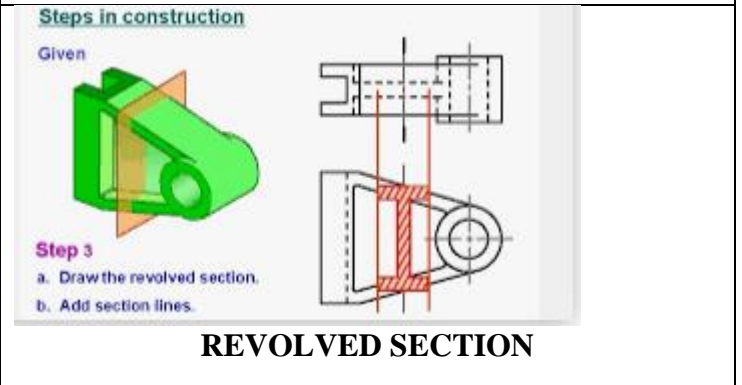
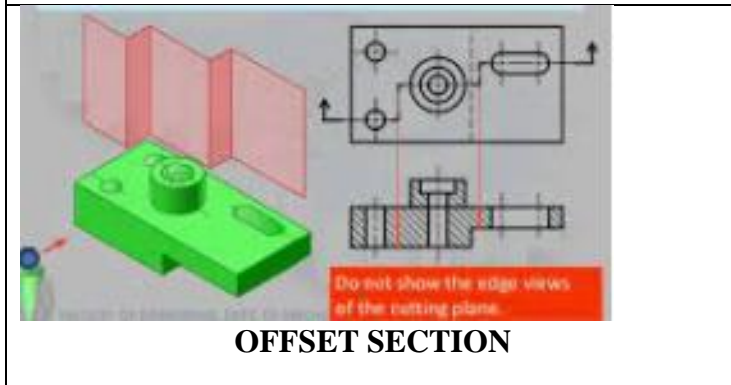
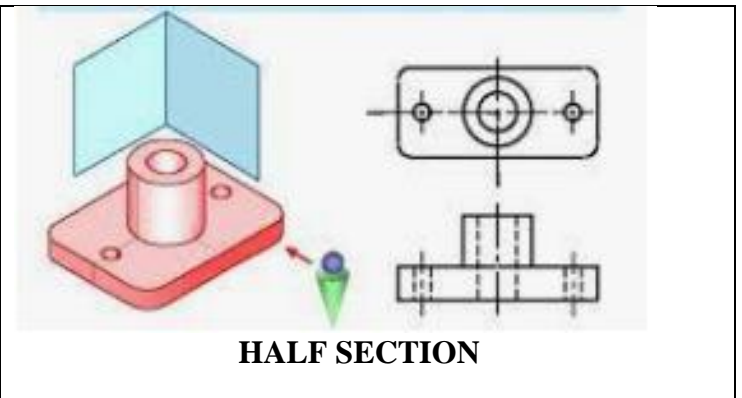
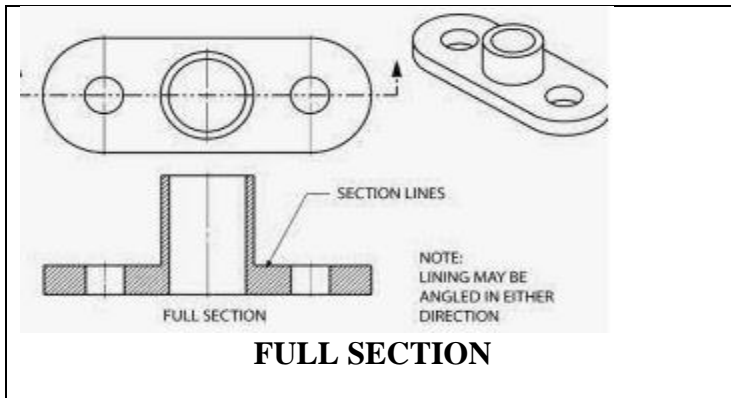


SANGAM SKM COLLEGE - NADI
LESSON NOTES – WEEK 1
YEAR 12
TECHNICAL DRAWING-SOLUTIONS

Strand	Applied Drawing
Sub-Strand	Engineering Drawing
Learning Outcome	Identify the different types of engineering components. Discuss the different methods of sectioning.

Exercise

1. Identify and sketch the different methods of sectioning.



2. Differentiate between full section and half section?

<p>■ A section view is made by passing the cutting plane halfway through an object and remove a quarter of it.</p> <p>Example</p>	<p>■ A section view is made by passing the straight cutting plane completely through the part.</p> <p>Example</p>
--	--

3. Research work – draw compression spring, tension spring, external and internal thread.

NOTE: Use the link given below to answer research question

<https://slideplayer.com/slide/12241914/>

(a) EXTERNAL DETAILED THREADS

(b) INTERNAL DETAILED THREADS

(c) SIMPLIFIED

(d) SCHEMATIC

(a) DETAILED ROUND-WIRE SPRING

(b) DETAILED SQUARE-WIRE SPRING

(c) SMALL SPRING IN SECTION

(d) USE OF PHANTOM LINES

(e) SCHEMATIC COMPRESSION SPRING

(f) SCHEMATIC TENSION SPRING

Note: if you cannot print and paste the solutions you can write in your note book. Answer all exercises in your note book.