

**1076 NADI SANGAM SCHOOL**

**YEAR 8**

**CONSOLIDATED**

**WEEKLY HOME STUDY  
PACKAGE:13**

**04/10 TO 08/10**

**2021**

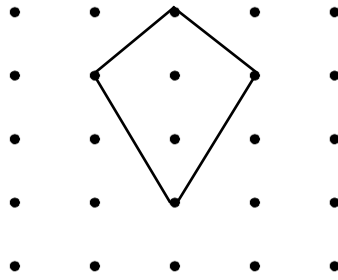
**1076 NADI SANGAM SCHOOL**

**YEAR 8 MATHEMATICS WEEKLY HOME STUDY PACKAGE 13**

**SECTION A MULTIPLE-CHOICE QUESTIONS**

Circle the letter of the best answer in your Answer Book.

1. The shape shown on the 5 x 5 geoboard is a

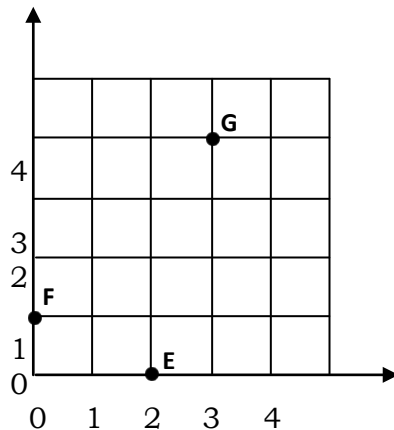


- A. kite.      B. rhombus.      C. trapezium.      D. parallelogram.

2. Which of the following expressions is correct?

- A.  $\frac{4}{8} = \frac{4}{16}$       B.  $\frac{3}{5} = \frac{12}{20}$       C.  $4 > \frac{6}{8}$       D.  $\frac{7}{8} < \frac{1}{2}$

3. Points **E**, **F** and **G** are shown on the coordinate plane below.



What would be the co-ordinates of Point **H** so that **E**, **F**, **G** and **H** form a parallelogram?

- A. (5, 3)      B. (5, 4)      C. (4, 2)      D. (3, 5)

4. The number 6 050.28 rounded off to the nearest ten is

- A. 6 100      B. 6 050.3      C. 6 050.29      D. 6 050

5. What is the width of a rectangle with a length of 12 cm and an area of 36 cm<sup>2</sup>?

- A. 3 cm      B. 4 cm      C. 6 cm      D. 24 cm

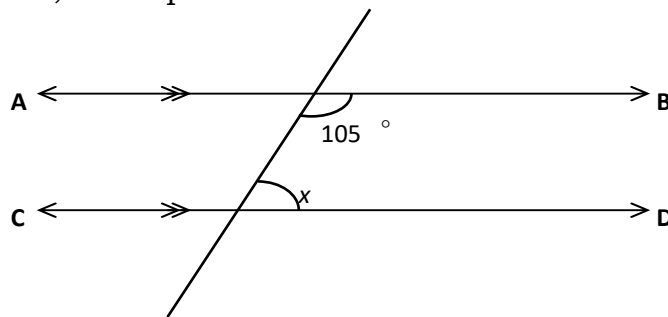
6.  $\frac{2}{10}$  expressed as a percentage is

- A. 0.02 %      B. 0.2 %      C. 2 %      D. 20 %

7. Manasa cycles at an average speed of 4 km/hr. How long does he take to complete a distance of 22 km?

- A. 4 hours 30 minutes
- B. 5 hours 10 minutes
- C. 5 hours 15 minutes
- D. 5 hours 30 minutes

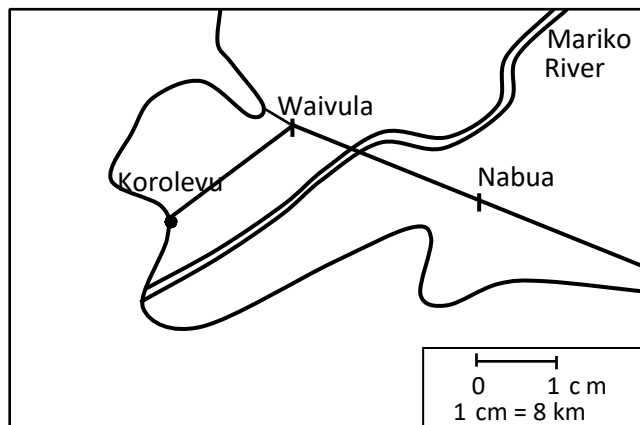
8. In the figure below, **AB** is parallel to **CD**.



What is the value of  $x$ ?

- A.  $75^\circ$
- B.  $85^\circ$
- C.  $95^\circ$
- D.  $105^\circ$

9. The map drawn below shows 3 villages joined by a road. Refer to the diagram given below to answer the question that follows.



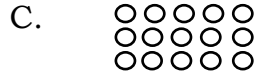
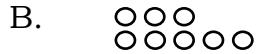
The distance between Waivula and Nabua is

- A. 16 km
- B. 18 km
- C. 20 km
- D. 24 km

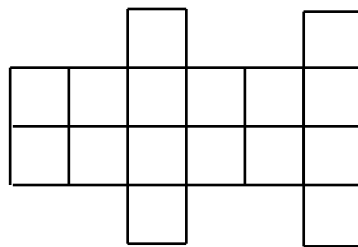
10. Aryan jogged 2 miles each day for 6 days. Which equation could be used to find the total number of miles that Aryan jogged?

- A.  $2 + 6$
- B.  $2 \times 6$
- C.  $6 \div 2$
- D.  $6 - 2$

11. Which pattern given below shows **5 x 3** ?

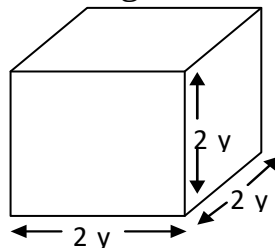


12. How many tetrominoes have been used to make the shape given below?



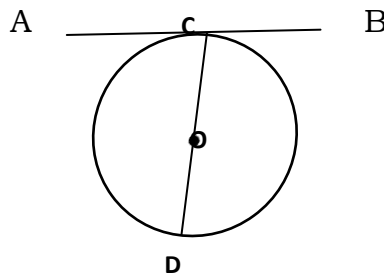
- A. 4                      B. 6                      C. 8                      D. 16

13. Each side of a cube is **2y** cm long. What is the volume of the cube?



- A.  $2y^3 \text{ cm}^3$               B.  $6y \text{ cm}^3$               C.  $8y \text{ cm}^3$               D.  $8y^3 \text{ cm}^3$

14. Refer to the diagram given below to answer the question that follows.



Line **AB** is

- A. an arc.  
 B. a chord.  
 C. a tangent.  
 D. a diameter.

15. What is the H.C.F. of 12 and 16?

- A. 4
- B. 6
- C. 12
- D. 16

16. Which of the following is an improper fraction?

- A.  $\frac{1}{4}$
- B.  $\frac{3}{6}$
- C.  $\frac{9}{8}$
- D.  $\frac{100}{101}$

17. The area of a square is 12.25 cm<sup>2</sup>. What is its length?

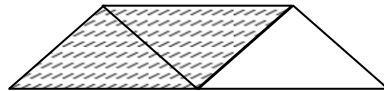
- A. 4.5 cm
- B. 4 cm
- C. 3.5 cm
- D. 3.25 cm

18. Aaniya borrowed \$2 000 from a bank for 12 months at  $2\frac{1}{2}\%$  per annum.

What interest did she pay back?

- A. \$ 50
- B. \$ 500
- C. \$ 2 050
- D. \$ 2 500

19. The trapezium drawn below can be divided into 3 identical triangles.



If the area of the shaded part is 16 cm<sup>2</sup>, what is the area of the trapezium?

- A. 8cm<sup>2</sup>
- B. 24cm<sup>2</sup>
- C. 32cm<sup>2</sup>
- D. 48cm<sup>2</sup>

20. The table below shows the names and ages of students in a swimming club.

**Swimming Club: Students' Ages**

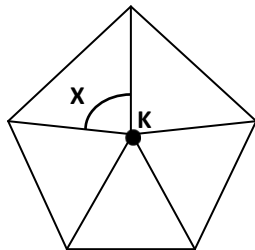
Name	Age
Miriama	7
Samu	8
Mohammed	9
Sylvia	11
Seth	11
Balbir	14

What is the range of the ages given in the table?

- A. 7
- B. 8
- C. 14
- D. 21

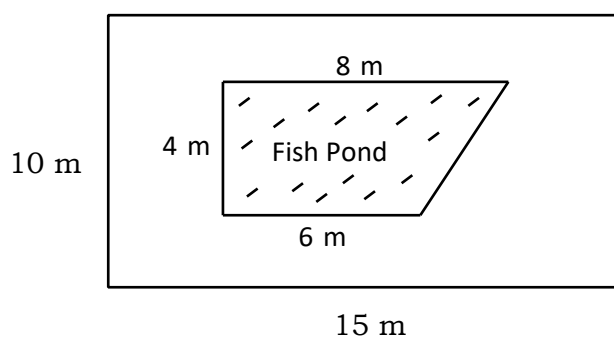
**SECTION B**      **PROBLEM SOLVING**

21. A regular polygon is drawn below. **K** is the centre.



- (i) Name the polygon.
- (ii) What is the sum of all the interior angles?
- (iii) Calculate the size of the angle marked **X**.

22. Johan constructed a fish pond in their backyard.



- (a) Calculate the area of the fish pond.
- (b) What would be the area of land left?

**1076 NADI SANGAM SCHOOL**  
**YEAR 8 – 2021**  
**WEEKLY HOME STUDY PACKAGE 13**  
**ENGLISH- LETTER WRITING**

**LETTER WRITING**

You travelled from Savusavu to Suva by an Inter-Island ferry. When you reached the Suva wharf you found your bag missing. You searched for it but could not find it.

Write to the Director, Inter Island Ferry Services, P. O. Box 8851, Suva and tell him about your lost bag.

In your letter mention the following:

- (i) who you are and the reason for your letter?
- (ii) the day and date you lost the bag.
- (iii) describe your bag and the items in it.
- (iv) the reward you will give to the person who returns your bag.

Your name is Kelvin Prasad if you are a boy and Tarusila Cakau if you are a girl and your address is 14 Kavika Place, Lawai, Korovou.

Write your letter in your letter writing book. Send a photo of your letter write up either on viber or can email it to you teacher so that it is entered in to Moodle for Letter Sample.

Please include the Plan of your letter.

**1076 NADI SANGAM SCHOOL**  
**YEAR 8 HINDI WEEKLY HOME STUDY PACKAGE 13**

प्रश्न १

संस्कृति - (Culture)

अ. सही जवाब को चुनकर उसके बगल वाले अक्षर पर गोलाकार निशान बनाइए ।

१. दीपावली ----- का त्योहार है ।

- |            |          |
|------------|----------|
| क. भाई-बहन | ख. दीपों |
| ग. पित्तरो | घ. रंगों |

२. एक दूसरे के साथ अच्छा व्यवहार करने को ----- कहते हैं ।

- |              |           |
|--------------|-----------|
| क. आज्ञा     | ख. नमस्ते |
| ग. शिष्टाचार | घ. सम्मान |

३. रावन ----- का राजा था ।

- |         |           |
|---------|-----------|
| क. लंका | ख. लखनऊ   |
| ग. फीजी | घ. दिल्ली |

४. भारतीय संस्कृति में ----- परम पिता परमात्मा का सब से अच्छा नाम है

- |           |          |
|-----------|----------|
| क. प्रकाश | ख. दीपक  |
| ग. ओउम्   | घ. तुलसी |

५. शरीर मजबूत बनाने के लिए क्या करना जरूरी है ?

- |          |                |
|----------|----------------|
| क. प्रेम | ख. कसरत        |
| ग. दया   | घ. पढ़ना लिखना |

आ. सही वाक्य को √ करे और गलत को X ।

१. रोज़ पूजा करें ।

२. भगवान ने सभी को एक समान बनाया है ।

३. ईश्वर एक है ।

४. माता- पिता की आदर नहीं करना चाहिए ।

५. दूसरों की बुराई करें ।



इ. चित्र के नाम दो ।

कलश

सूप

हसुआ

हारमोनियम

तबला

१.



---

२.



---

३.



---

४.



---

५.



---

**1076 NADI SANGAM SCHOOL**  
**YEAR 8 - 2021**  
**WEEKLY HOME STUDY PACKAGE 13**  
**NA VEIKA VAKA VITI**

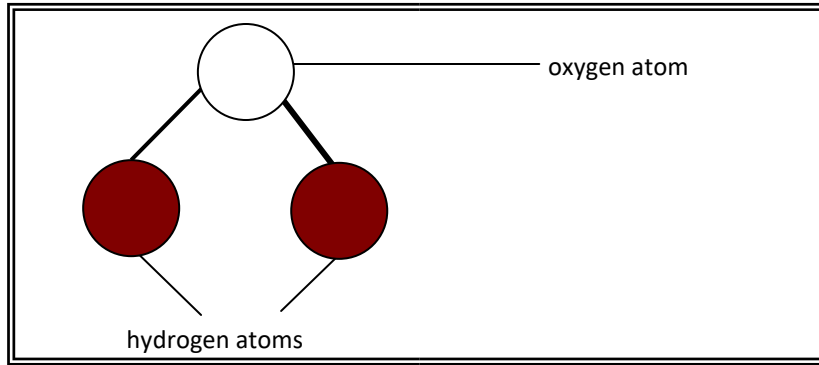
1. Sa dau tekivu babasika mai vakalalai na balolo e waitui e na vula ko \_\_\_\_\_ . A. Tiseba      B. Okotova      C. Seviteba      D. Januери
2. Na i cavuti vakavanua na Vuanirewa e dau vakayagataki ki na yasana vakaturaga ko \_\_\_\_\_ .  
A. Lau      B. Cakaudrove      C. Rewa      D. Kadavu
3. Na qito vaka-Viti cava e kena i yaragi na ulutoa vaka i kaso ? \_\_\_\_\_  
A. veilavo      B. veisilimi      C. veicibi      D. veitiqa
4. Ni tini na i wau e na i wiliwili vaka-Viti, e tautauvata ni sa dua na \_\_\_\_\_ .  
A. i ula      B. tuatua      C. bure      D. i valu
5. Ko ira na \_\_\_\_\_ era kena dau e na ta waqa, sivisivi kei na tara vale.  
A. Mataisau      B. Bati      C. Gonedau      D. Liga ni Wau
6. Na 'kekewa' e dua na mataqali \_\_\_\_\_ ka dau kilai tani kina o Oneata kei Kabara.  
A. ika      B. uvi      C. dalo      D. vivili
7. "Tali magimagi" e kena i balebale ni dua e \_\_\_\_\_ .  
A. dau tali ibe      B. dau vosa balavu      C. dau tobe magimagi  
D. talia vakadede
8. Na lawa lalai ka dau vakayagataki e na tataga e yacana na \_\_\_\_\_ .  
A. i soroi      B. i tauga      C. i taraki      D. i rotaki
9. Na dalo se vudi ka dau tei wavoki se e na maliwa ni veibuke ni uvi e yacana na i \_\_\_\_\_ .  
A. madrali      B. vakaoko      C. vakasoso      D. yavoi
10. Na cagi kaukauwa ka dau liwa e na vula ko Me, era vakatoka na qase me \_\_\_\_\_ .  
A. cagi ni doi      B. bogi walu      C. cagi ni gasau      D. uca ni balolo
11. O ira mai \_\_\_\_\_ era kena dau tale ga e na cakacakataki ni masi.  
A. Beqa      B. Vatulele      C. Kadavu      D. Lomawai
12. Na kakana e dau caka me kedra na tara vale se caka were e yacana na \_\_\_\_\_ .  
A. nabu      B. i tago      C. oco      D. loru

13. E dau \_\_\_\_\_ na matani dalo e na doko.  
A. lau      B. keli      C. suvisuvi      D. vaci .
14. E dau vakayagataki na \_\_\_\_\_ me duru ni vale vaka-Viti.  
A. uto      B. bitu      C. vesi      D. gasau
15. Na manumanu cava e dau 'gau' ni tagi ?  
A. koli      B. vusi      C. ga      D. namu
16. E dau vakayagataki na \_\_\_\_\_ me i sevusevu vakaturaga.  
A. tabua      B. masi      C. ibe      D. yaqona
17. Ni sa ciqomi oti na \_\_\_\_\_ sa qai dau vatonaki ka vakamaluataki.  
A. kamunaga      B. i sevusevu      C. yaqona      D. kumi se gatu
18. E dau rabeta na medra yaqona na Turaga ko nona \_\_\_\_\_.  
A. Bete      B. Matanivanua      C. Mataki      D. Sau Turaga
19. Na 'katikati' e dau vakaibalebaletaki vei ira na \_\_\_\_\_.  
A. i sausauvou      B. ulumatua      C. gone lalai      D. yada
20. Ni keli oti na uvi e qai dau maroroi tu e na \_\_\_\_\_.  
A. loma ni qara      B. dela ni draya      C. ruku ni veico      D. kena lololo

**1076 NADI SANGAM SCHOOL**  
**YEAR 8 - 2021**  
**WEEKLY HOME STUDY PACKAGE 13**  
**BASIC SCIENCE**

1. The only protection that can surely prevent teenage pregnancy and sexually transmitted diseases is
  - A. condom.
  - B. vaccines.
  - C. abstinence.
  - D. antibiotics
  
2. Turtles are now an **endangered** species. This means that
  - A. they are extinct.
  - B. we should kill them.
  - C. they are found only in Fiji.
  - D. they are in danger of becoming extinct.
  
3. Which of the following statements is **not** true about sound?
  - A. Sound travels slower than light.
  - B. Sound can travel through a vacuum.
  - C. Sound travels faster in solids than liquids.
  - D. Sound can travel through solids, liquids and gases.
  
4. Echoes are heard when sound
  - A. is absorbed by a soft surface.
  - B. is absorbed by a hard surface.
  - C. bounces off a hard surface.
  - D. bounces off a soft surface
  
5. A student was given a mixture of sand grains, small stones, seeds and shells. He was asked to separate them. The **best** method to carry out the separation is by
  - A. filtration.
  - B. decantation.
  - C. evaporation.
  - D. using netting sieve.
  
6. The process of distillation involves two processes. The two processes are
  - A. condensation and filtration.
  - B. condensation and spinning.
  - C. evaporation and condensation.
  - D. decanting and condensation.

The model of water molecule is represented as shown in the diagram below. Use the diagram to answer **Question 7**.



7. The total number of atoms in a water molecule is
- A. 6.                      B. 3.                      C. 2.                      D. 1.
8. Food in plants is transported from leaves to roots by the
- A. phloem.  
B. flower.  
C. xylem.  
D. tube
9. Rocks which are formed when magma cools are called
- A. soapstone.  
B. igneous rocks.  
C. sedimentary rocks.  
D. metamorphic rocks.
10. When a piece of wood is weighed in air and then in water, there is
- A. a loss in weight.  
B. a gain in weight.  
C. an increase in size.  
D. no change in weigh

**YEAR 8 WEEKLY HOME STUDY PACKAGE 13**  
**HEALTHY LIVING, 2021**

**NON-COMMUNICABLE DISEASE (NCD)**

***Key words: non-communicable, cardiovascular, chronic***

Non-communicable diseases (also known as chronic disease) are not passed from one person to another. It is a type of illness that has been with a person for a long period of time and develops very slowly in the body of that person. The four main type of non-communicable diseases are cardiovascular diseases (like heart attacks and stroke), cancer, chronic respiratory disease (such as asthma) and diabetes.

**Who is at risk of such diseases?**

All age groups are affected by NCDs are often associated with older age groups, but more people are dying from it before they reach 60. Children, adults and the elderly are all vulnerable to the risk factors that contribute to non-communicable diseases, whether from unhealthy diets, physical inactivity, exposure to tobacco smoke or the effects of the harmful use of alcohol.

**Causes of NCDs**

There are many causes of NCDs. Tobacco use, physical inactivity, unhealthy diet and the harmful use of alcohol increase the risk of or cause most NCDs.

**Prevention of NCDs**

People need to be more aware of their health to prevent NCDs. Modifying unhealthy behavior will greatly help. Reducing tobacco use and intake of alcohol can lessen chronic lung diseases. Being physically active can decrease the chance for having a heart attack or stroke.

Exercise

1. With the help of a dictionary, define these terms

a. cancer -

\_\_\_\_\_

b. diabetes -

\_\_\_\_\_

c. chronic -

\_\_\_\_\_

d. heart attack -

---

e. asthma -

---

2. What are the 4 main types of NCDs?

---

---

---

---

3. Who are at risk of NCDs?

---

---

4. What should you do to protect yourself from NCDs?

---

---

---

5. What are some causes of NCD?

---

---

**1076 NADI SANGAM SCHOOL**  
**YEAR 8 WEEKLY HOME STUDY PACKAGE 13**  
**SOCIAL SCIENCE, 2021**

**GREEN PEACE**

Greenpeace is a non-governmental organization with offices in over forty countries and with an international coordinating body in **Amsterdam**, the **Netherlands**.



The of Greenpeace is to ensure the ability of the earth to nurture life in all its diversity and focus its campaign on worldwide issues such as climate change, deforestation, overfishing, commercial whaling, genetic engineering and anti-nuclear issues.

It uses direct action, lobbying and research to achieve its goals. The global organization does not accept funding from governments, corporations or political parties, relying on 2.9 million individuals' supporters and foundation grants.

Greenpeace has a general consultative status with the United Nations Economic and social council and is a founding member of the INGO Accountability Charter: an international Non- Government Organization that intends to foster accountability and transparency of non-governmental organizations.



Greenpeace is known for its direct actions and has been described as the most visible environment organization in the world. Greenpeace has raised environmental issues to public knowledge, and influenced both the private and the public sector.





For You To Do.

1. Find out other organizations that help in fighting against people who damage our environment?

---

---

2. What is their main goal (s)?

---

---

3. Who are the members of this organization?

---

---

4. How do people become members of these organizations?

---

---

5. Where do these organizations get their funds from?

---

---